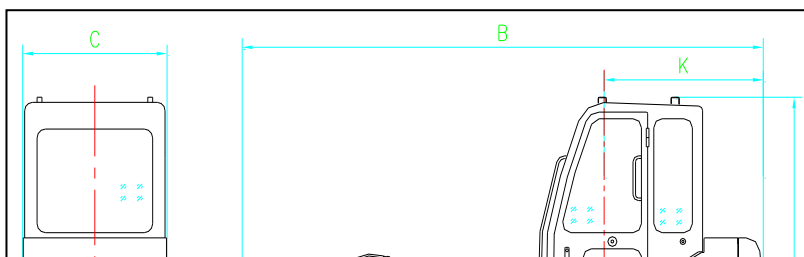
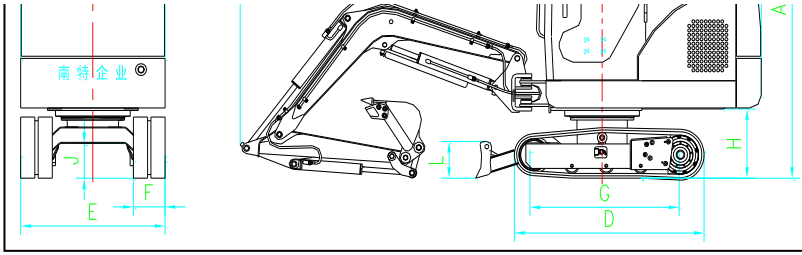


NT18A

<b>ENGINE</b>	
Model	Laidong L380
Cylinders	3
Bore/Stroke	80×90mm
Displacement	1.357L
Fuel injection	direct
Fuel injection pump	Mechanical
Fuel	Diesel
Fuel filter	Full flow
Cooling	water-cooling
Horsepower Net	15.5kw @2400rpm
Maximum torque Net	71N.m @1680rpm
<b>BOOM/ARM</b>	
<b>BOOM</b>	
Swing	60° left / 45° right
Length	1805mm
Boom weight	69kg
<b>Arm</b>	
Length	1150mm
Arm weight	35kg
<b>UNDERCARRIAGE</b>	
Number of rollers	
Top, each track	1
Bottom, each track	3
Gradability	58%(30°)
<b>HYDRAULICS</b>	
Pumps(2)	Gear pump
Capacity-Maximun	2×21.6L/min
System relief pressure-standard	18MPa
Pilot control hydraulic system-pump(1)	Gear pump
Maximun capacity	7.2L/min
Relief pressure	3MPa
Control valves-	
8 function multiple control vavle	
Pump#1 for right travel and swing and boom swing and arm	
Pump#2 for left travel and boom and bucket and dozer	
Pump#3 for pilot valve	
Swing-	
motor(1)	cycloid motor
Speed	0-10rpm
Brake	Hydraulically released
Tail swing radius	1130mm
Tail swing overhang	
Travel-	
motor(2)	cycloid motor

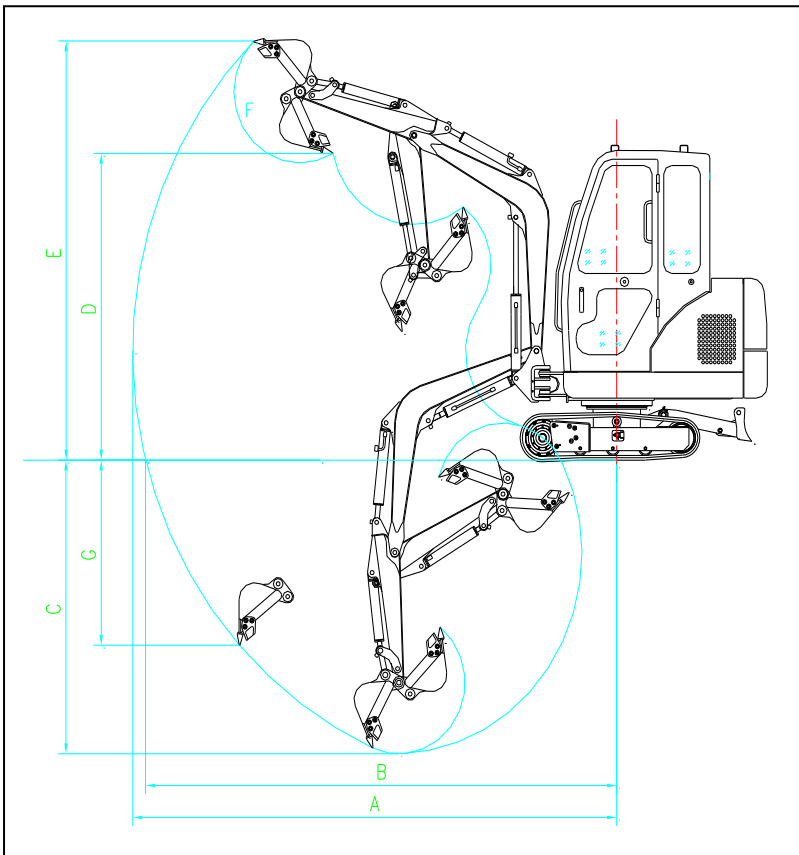
Final drive	Gear reduction
Travel speed -	Forward/reverse
Low	2.0km/h
High	0km/h
<b>HUDRAULIC CYLINDERS</b>	
Boom cylinder(1)	
Bore diameter	63mm
Rod diameter	35mm
Stroke	410mm
Arm cylinder(1)	
Bore diameter	63mm
Rod diameter	35mm
Stroke	430mm
Bucket cylinder(1)	
Bore diameter	55mm
Rod diameter	32mm
Stroke	300mm
<b>ELECTRICAL</b>	
Voltage	12 volts
Alternator	25 amp
Batteries(1) 12V	Heavy-duty
<b>SERVICE CAPACITIES</b>	
Hydraulic tank	
Refill capacity	25L
Total system	32L
Engine	
w/filler change	3.5L
Fuel	18L
Radiator	3.5L
<b>OPERATING WEIGHT</b>	
With 75kg operator,44kg bucket, full fuel and standard equipment	1830kg
Ground pressure	36kpa





## DIMENSIONS

A. Overall height	2300mm
B. Overall length	3800mm
C. width of upperstructure	1050mm
D. Track overall length	1460mm
E. Track overall width shoes	1050mm
F. Track shoe width	230mm
G. Center to center(inler to sprocket)	1090mm
H. Upperstructure ground clearance	465mm
J. Minimum ground clearance	235mm
K. Tail swing radius	1130mm
L. Backfill blade height	250mm
Working weight	1830kg
Ground pressure	36kpa
Tail swing overhang	



**PERFORMANCE SPECS**

A. Maximum dig radius	3715mm
B. Dig radius at groundline	3580mm
C. Maximum dig depth	2065mm
D. Dump height	2230mm
E. Overall reach height	2980mm
F. Bucket rotation	165°
G. Vertical straight wall dig depth	1500mm
Arm digging force	10kN
Buckte digging force	14kN