

## NT28UU DESCRIPTIONS

### ENGINE

Model	YANMER 3TNV88
Cylinders	3
Bore/Stroke	88×90mm
Displacement	1.642L
Fuel injection	Direct
Fuel injection pump	Mechanical
Fuel	Diesel
Fuel filter	Full flow
Cooling	Water-cooling
Horspower(net)	19.2kw @2200rpm
Maximum torque(net)	100~109N • m @1320rpm

### BOOM/ARM

#### Boom

Swing	70° left/60° right
Length	2280mm
Boom weight	116kg

#### Arm

Length	1170mm
Arm weight	63.5kg

### UNDERCARRIAGE

Number of rollers	
Top,each track	1
Bottom,each track	4
Gradability	58%(30°)

### HYDRAULICS

Pumps(3)	2×Variable displacement piston pump+gear pump
Capacity- Maximum	2×32L/min+26L/min
System relief pressure- Standard	21MPa+19.5MPa
Pilot control hydraulic system- Pumps(1)	Gear pump
Maximum capacity	10L/min
Relief pressure	3.5MPa
Control valves- 8 function multiple control valve	
Pump #1 for right travel and boom function and bucket function	
Pump #2 for left travel and arm function	
Pump #3 for house swing and dozer function and boom swing	
Pump #4 for pilot valve	
Swing- Motor(1)	Fixed displacement axial piston design
Speed	0-10rpm
Brake	Spring applied,hydraulically released with dual cushion relief
Tail swing radius	790mm

Travel-	
Motor(2)	Two-speed axial piston design
Final drive	Planetary gear reduction
Travel speeds-	Forward/Reverse
Low	2km/h
High	4km/h

**HYDRAULIC CYLINDERS**

Boom cylinder(1)	
Bore diameter	80mm
Rod diameter	45mm
Stroke	583mm
Arm cylinder(1)	
Bore diameter	70mm
Rod diameter	40mm
Stroke	515mm
Bucket cylinder(1)	
Bore diameter	63mm
Rod diameter	40mm
Stroke	432mm

**ELECTRICAL**

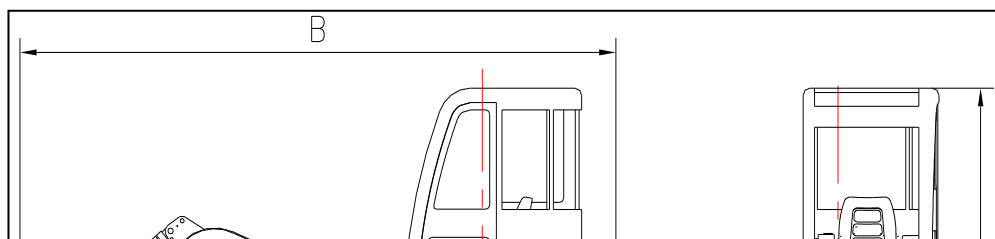
Voltage	12 volts
Alternator	40 amp
Batteries(1) 12V	Heavy-duty

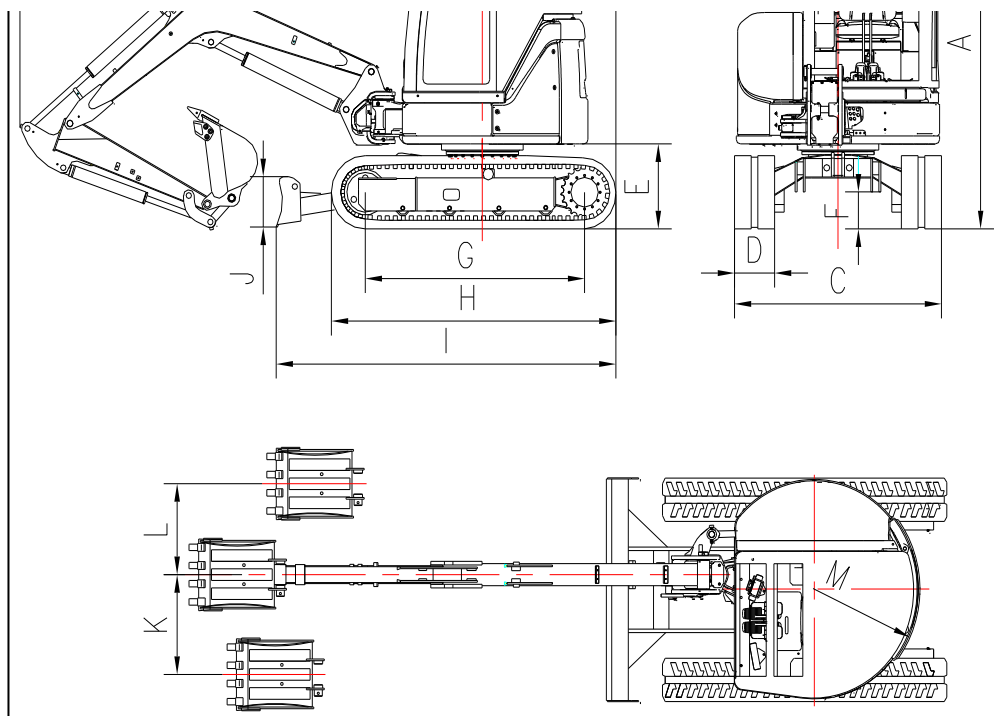
**SERVICE CAPACITIES**

Hydraulic tank	
Refill capacity	35L
Total system	45L
Engine	
w/filter change	5L
Fuel	25L
Radiator	4L

**OPERATING WEIGHT**

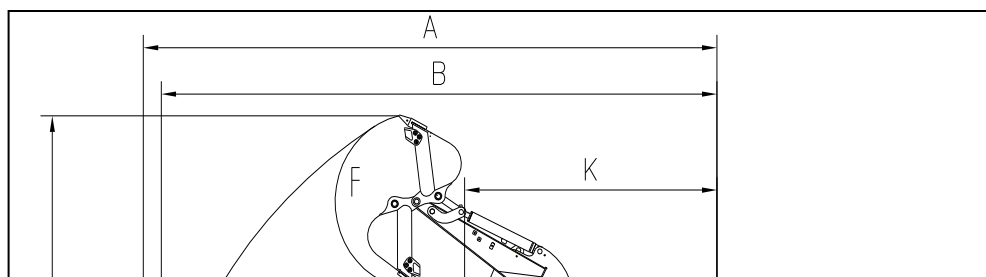
With 75kg operator	3200kg
Ground pressure	29KPa

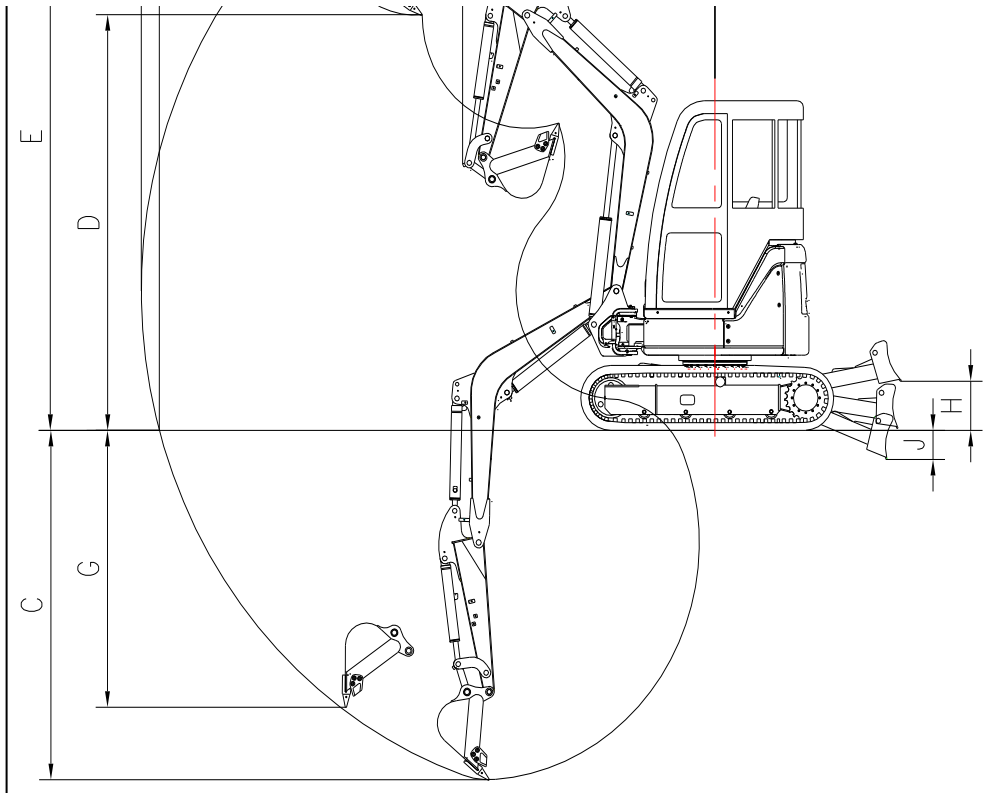




**DIMENSIONS**

A. Overall height	2685mm
B. Overall length	4460mm
C. Track overall width	1550mm
D. Track shoe width	300mm
E. Upperstructure ground clearance	575mm
F. Minimum ground clearance	255mm
G. Center to center(idler to sprocket)	1635mm
H. Track overall length	2125mm
I. Length of Chasis	2535mm
J. Backfill blade height	350mm
K. Bucket swing radius(Left)	690mm
L. Bucket swing radius(Right)	625mm
M. Tail swing radius	790mm
Working weight	2800kg
Ground pressure	29KPa





### PERFORMANCE SPECS

A. Maximum dig radius	4825mm
B. Dig radius at groundline	4675mm
C. Maximum dig depth	2740mm
D. Dump height	3230mm
E. Overall reach height	4585mm
F. Bucket rotation	173°
G. Vertical straight wall dig depth	2175mm
H. Lift above ground	370mm
J. Drop below ground	240mm
K. Minimum rotation radius	2130mm
Arm digging force	13.4KN
Bucket digging force	17.8KN